



P Smart

DESIGN RIGHTS REGISTERED

THE MOST COMPREHENSIVE
AIR DISC VALVE



- Minimum Pressure Loss
- No Corrosion
- Quick Mounting
- Better Indoor Air Quality
- Constant Flow Regime

AFS

FLEXIBLE KANAL
TİCARETİ LTD. ŞTİ.

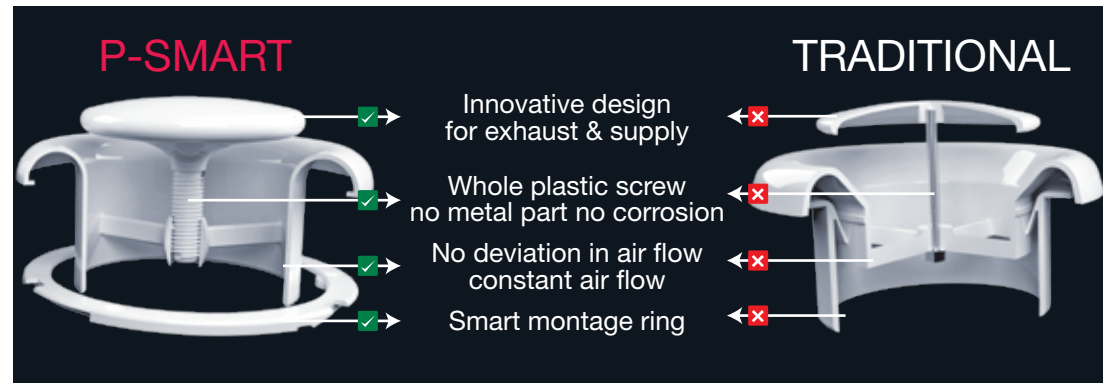
İvedik Organize Sanayi Bölgesi
1468. Cadde No:153 Ostim
06370 Ankara / Türkiye
T : +90-312-395-4860
F : +90-312-395-4868
www.afs.com.tr



**ENERGY
EFFICIENT**

THE MOST COMPREHENSIVE AIR DISC VALVE

- Very low pressure loss values are obtained by the CFD analysis and verified by the tests in the laboratory complying with ASHRAE 70 standards.
- All parts of P Smart manufactured from ABS plastic which eliminates the problem of corrosion, locking and color changes.
- Fully-airtight product with minimum air leakage is key to mold control and represents better indoor air quality.
- Thanks to it's Smart design, no deviation in flow rate area, effective diameter equals to nominal diameter and it conserves the flow regime.
- Quick mounting (less than a minute), with compact and smart components.

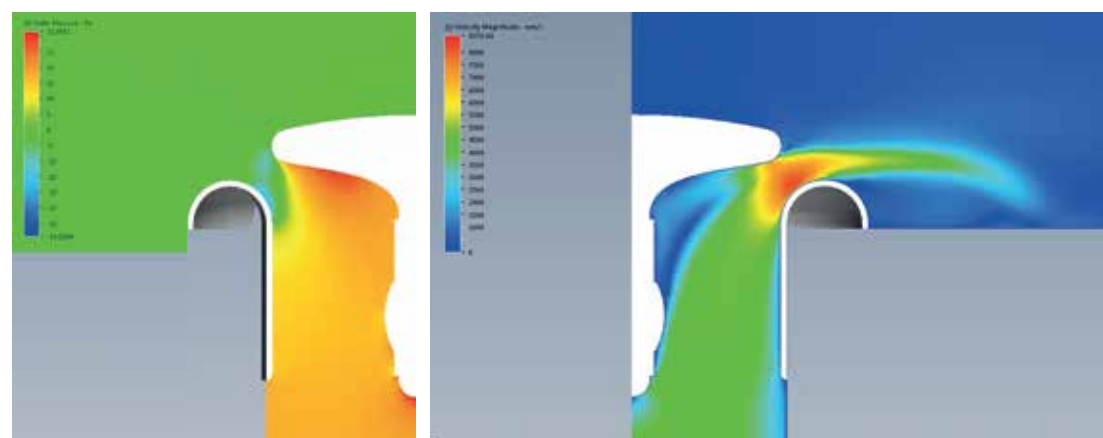


WHERE TO USE:

Conair P Smart has aesthetic design and recommended for exhaust and supply of air in damp areas such as toilets, bathrooms and kitchen as well as industrial areas, residential and offices.



CFD SIMULATION IMAGES:

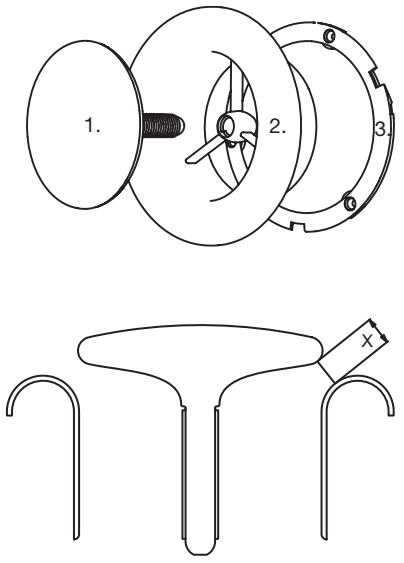
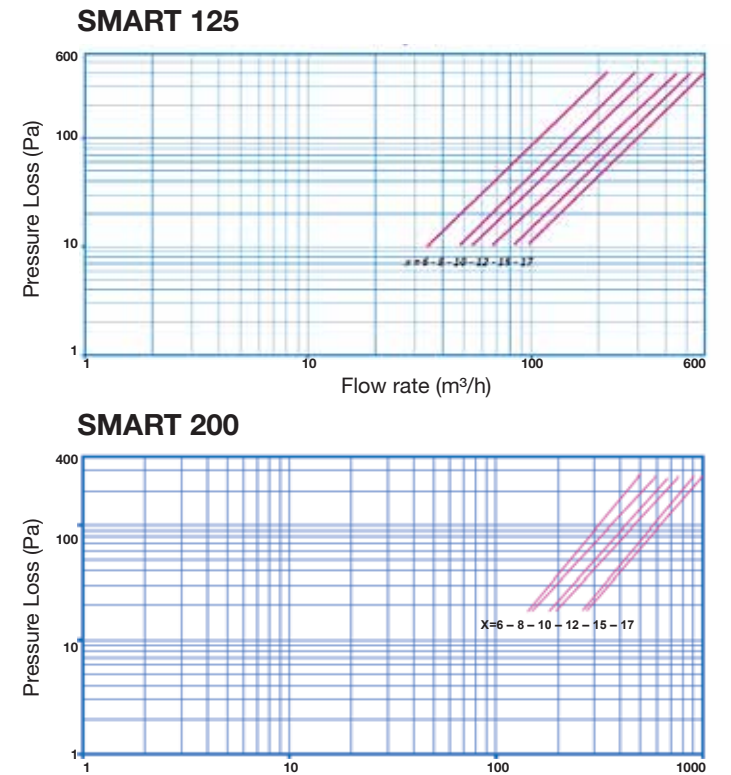
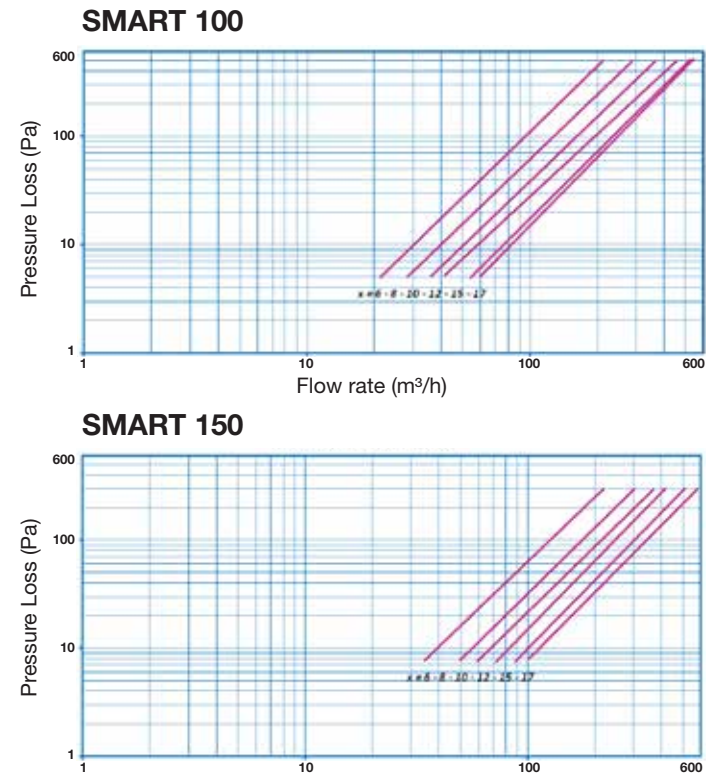


MONTAGE:

- Screw the mounting ring where product needs to be mounted.
- Use the fins on mounting ring as a template for punching a hole.
- Punch the hole by the assistance of the template.
- Connect the duct onto collar of flanged diffuser.
- Place the fixture elements behind flanged diffuser where the gaps on the ring coincide with.
- Turn the flanged diffuser clock-wise to secure locking.
- Screw the lid onto threaded hole at the middle of flanged diffuser.
- Rotate the lid to adjust air flow rate.

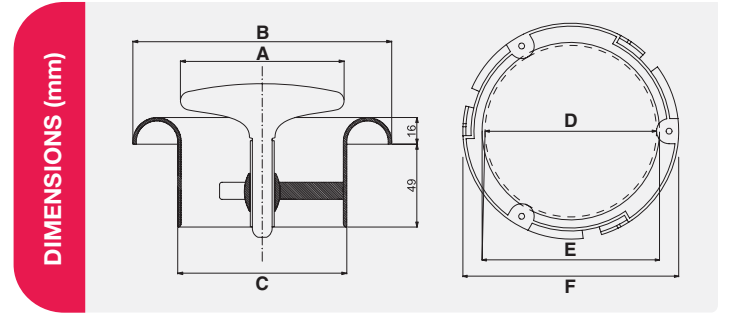
PRESSURE LOSS DIAGRAMS:

Pressure loss test results conforming with ASHRAE 70 standard



- 1: Adjustable Lid
 - 2: Flanged Diffuser
 - 3: Mounting Ring
- x: the smallest distance between disc of lid and flanged diffuser

P SMART	NOMINAL SIZE	DIMENSIONS (mm)					
		Ø A	Ø B	Ø C	Ø D	Ø E	Ø F
	Ø 100	96	152	99	116	120	146
	Ø 125	121	177	124	141	145	171
	Ø 150	146	202	149	166	170	196
	Ø 200	121	252	199	216	220	246



Installation videos available on #afs, #conair, #smart, #plastic, #air, #discvalve

